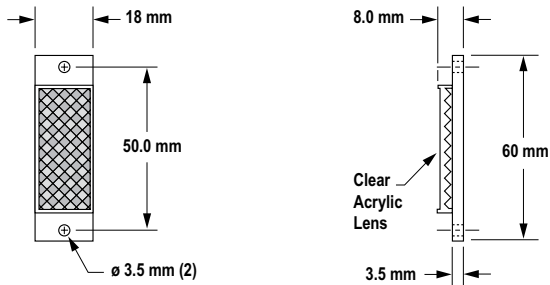


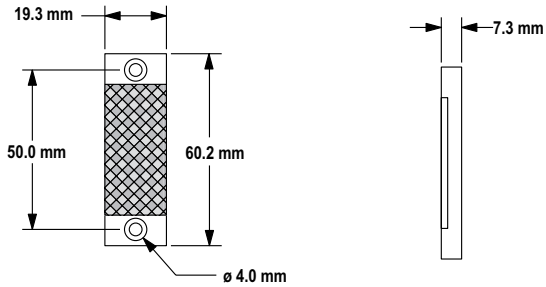
### BRT-40X18A

Description: Rectangular, acrylic target  
 Reflectivity Factor: 1.0  
 Temperature: -20° to +60° C



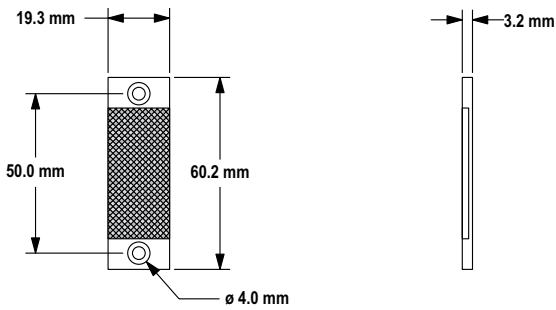
### BRT-40X19A

Description: Rectangular, acrylic target  
 Reflectivity Factor: 1.3  
 Temperature: -20° to +60° C



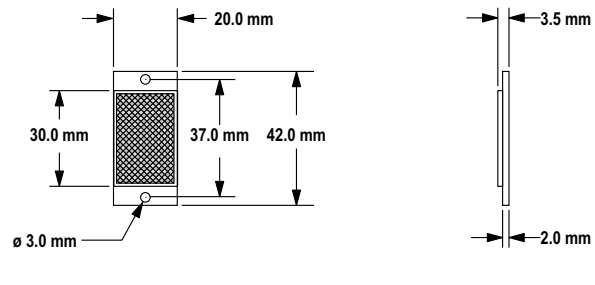
### BRT-40X19AM

Description: Rectangular, thin profile acrylic target  
 Reflectivity Factor: 1.2  
 Temperature: -20° to +60° C  
 Other: This target has micro-prism geometry.



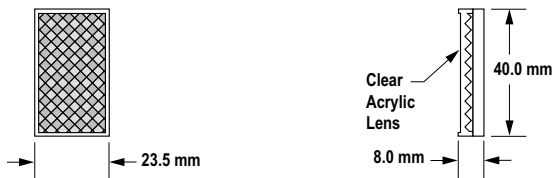
### BRT-40X20AM

Description: Rectangular, thin profile acrylic target  
 Reflectivity Factor: 1.2  
 Temperature: -20° to +60° C  
 Other: This target has micro-prism geometry.



### BRT-40X23

Description: Rectangular, acrylic target  
 Reflectivity Factor: 1.4  
 Temperature: -20° to +60° C



### BRT-40X23A

Description: Rectangular, acrylic target  
 Reflectivity Factor: 1.4  
 Max. Temperature: -20° to +60° C

